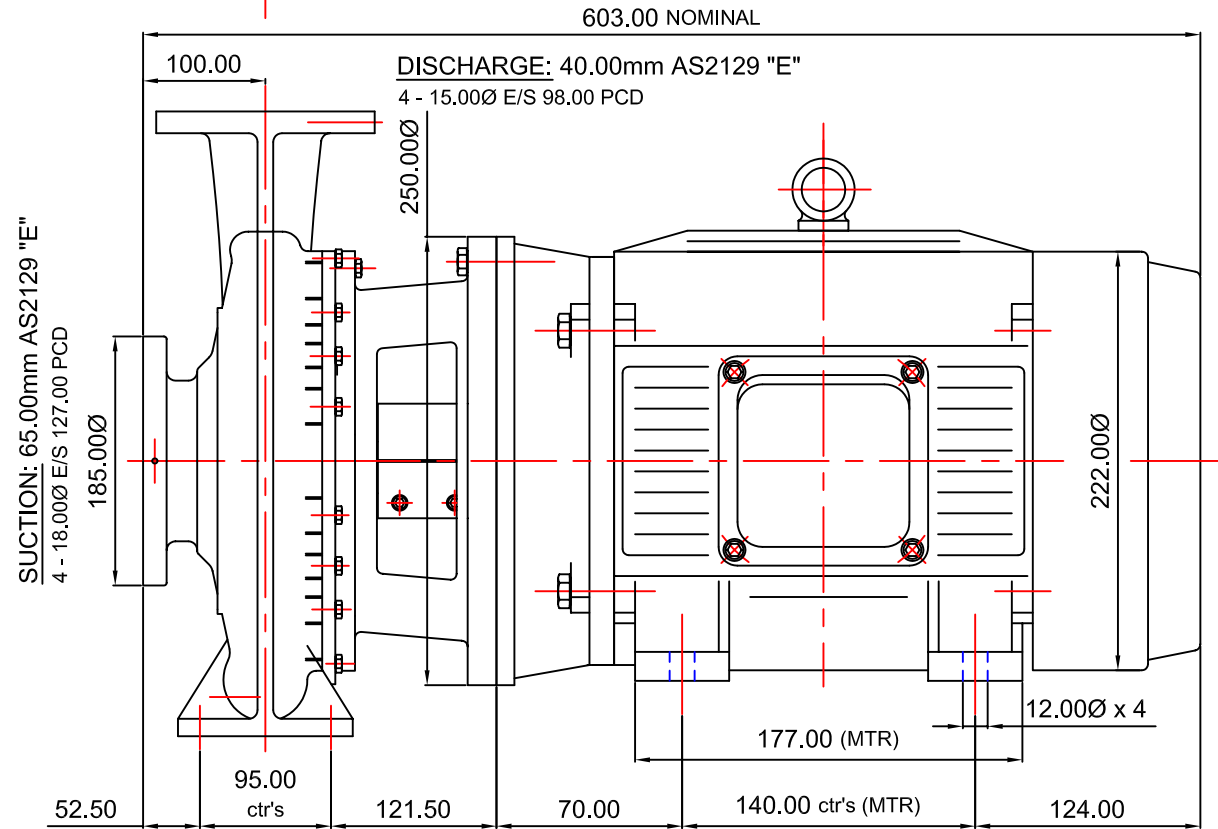
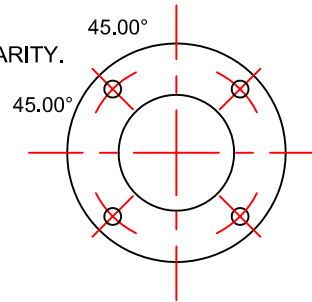
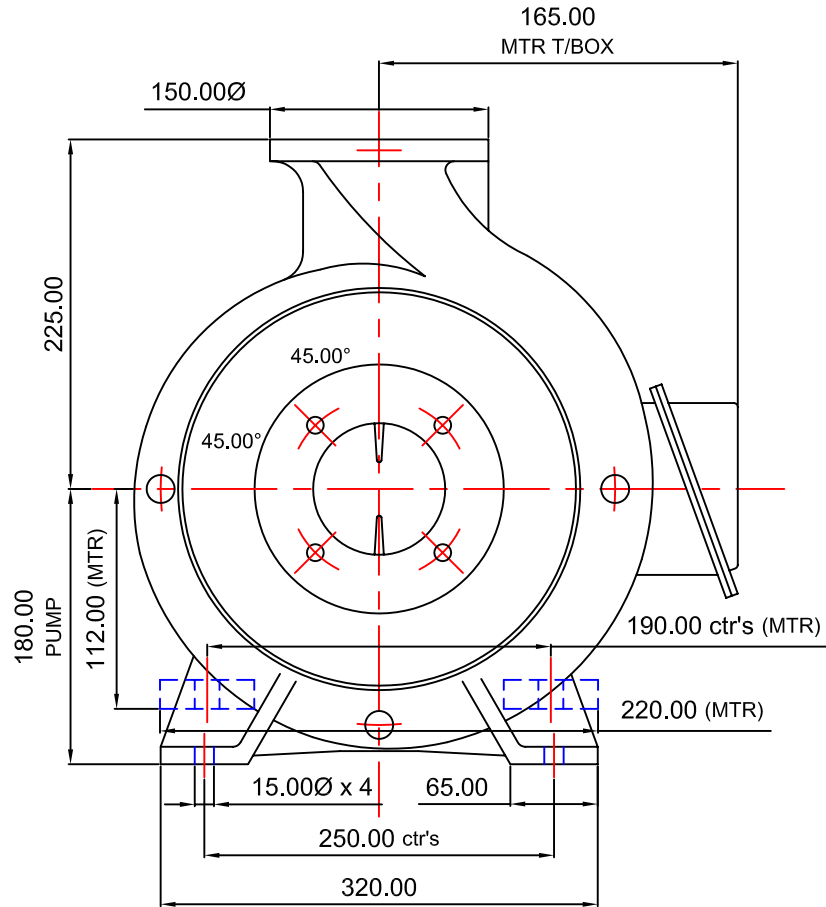


**STANDARD DETAIL NOTES:**

THIS IS A DIAGRAMMATIC REPRESENTATION AND CERTAIN DETAILS REMOVED FOR CLARITY.

**IMPORTANT:** ALL DIMENSIONS INDICATED ARE NOMINAL.

**IMPORTANT:**  
THIS DATA IS RELEASED FOR  
REFERENCE ONLY.



REVISION

THIS DATA REMAINS THE PROPERTY OF STALKER ENGINEERING. NO DATA MAY BE REPRODUCED WITHOUT PRIOR CONSENT OF COMPANY. DATA MAY BE ALTERED WITHOUT NOTIFICATION.

AS1100 3rd ANGLE PROJECTION

**DO NOT SCALE**

**GENERAL TOLERANCES**

METRIC +/-0.400mm  
IMPERIAL +/-0.015"

REFERENCE:

APPRVD:

CHECKED:

DRWN: AR

DATE:  
01/08/2006

SCALE:  
DIAGRAMMATIC

FILE REF:  
REFER DWG NUMBER



**STALKER PUMPS**

[www.stalkerpumps.com.au](http://www.stalkerpumps.com.au)

DIMENSION OUTLINE DIAGRAMMATIC  
ISO2858 65/40-250 CC SERIES 4.0kW 4P 112M  
(EM036 MODULE 2)

DRAWING No: **2900ISOCCEM036DIMA3**

A3