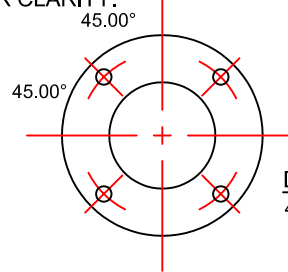
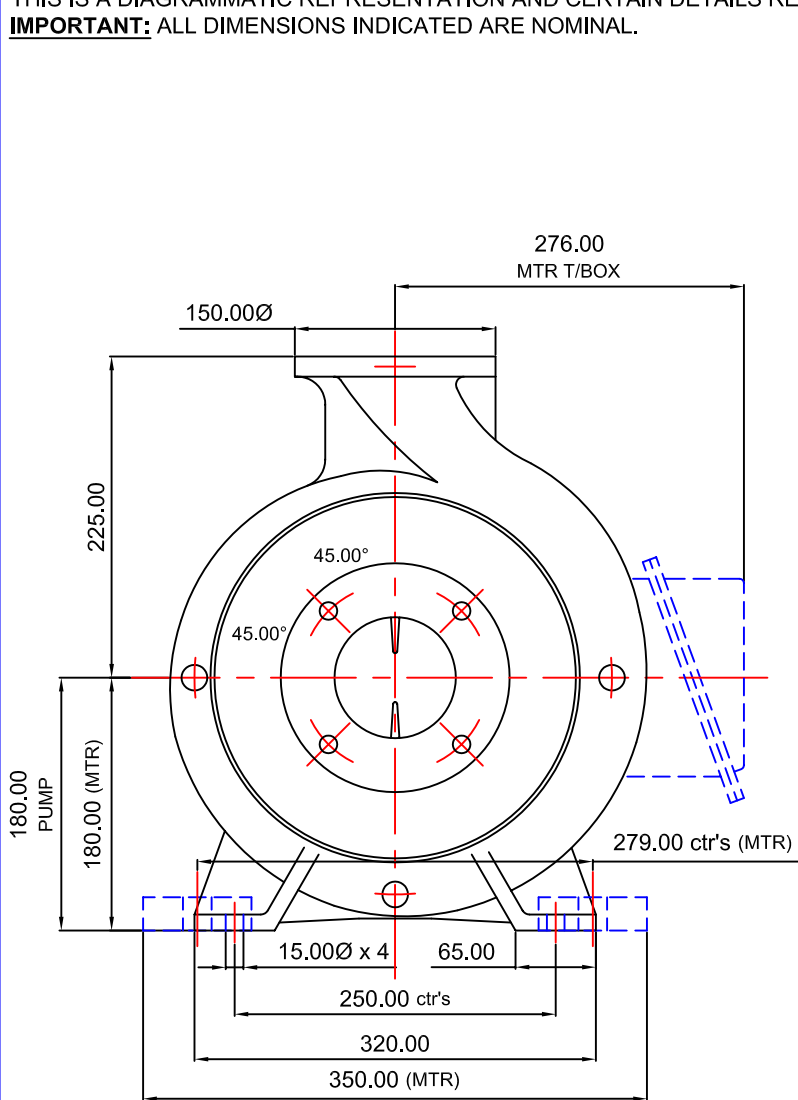


STANDARD DETAIL NOTES:

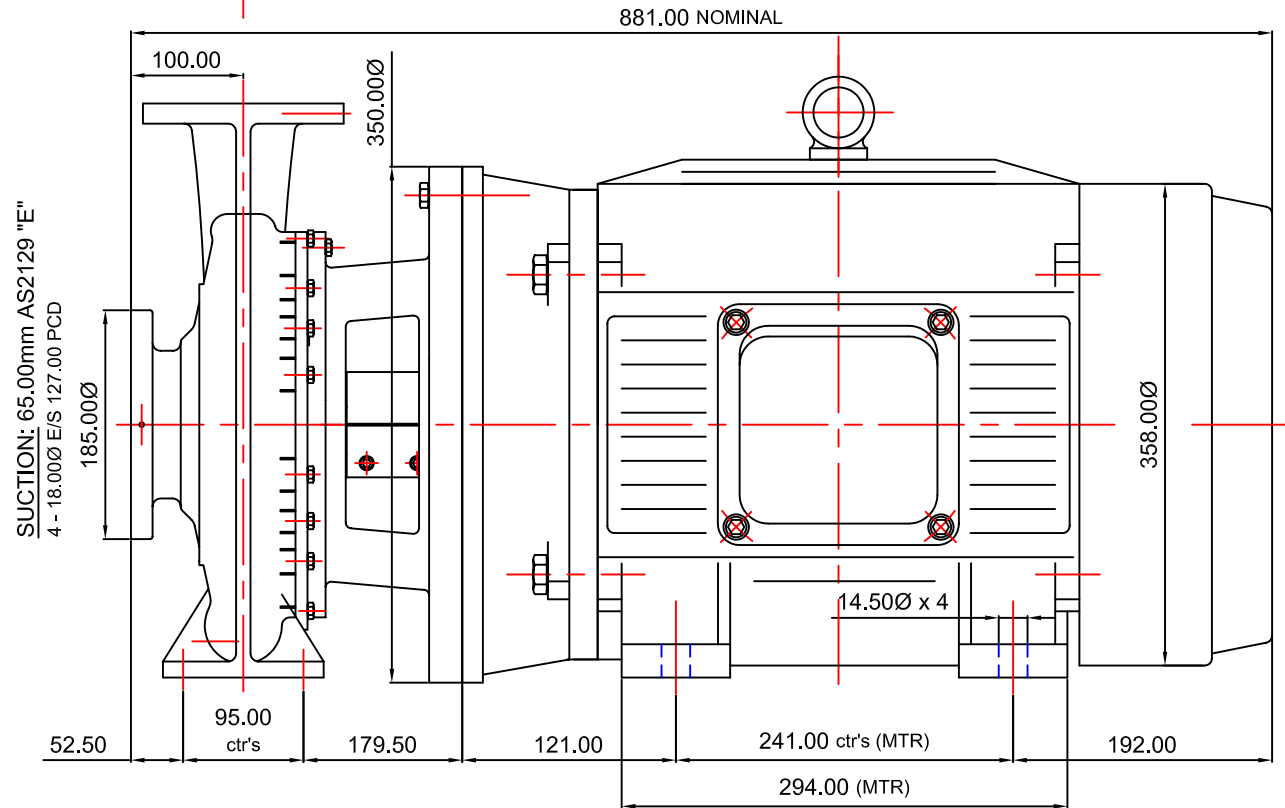
THIS IS A DIAGRAMMATIC REPRESENTATION AND CERTAIN DETAILS REMOVED FOR CLARITY.

IMPORTANT: ALL DIMENSIONS INDICATED ARE NOMINAL.

IMPORTANT:
THIS DATA IS RELEASED FOR
REFERENCE ONLY.



DISCHARGE: 40.00mm AS2129 "E"
4 - 15.00Ø E/S 98.00 PCD



REVISION	
	AS1100 3rd ANGLE PROJECTION
	DO NOT SCALE

THIS DATA REMAINS THE PROPERTY OF STALKER ENGINEERING. NO DATA MAY BE REPRODUCED WITHOUT PRIOR CONSENT OF COMPANY. DATA MAY BE ALTERED WITHOUT NOTIFICATION.

GENERAL TOLERANCES
METRIC +/-0.400mm
IMPERIAL +/-0.015"

REFERENCE:

APPRVD: CHECKED:

DRWN: AR
DATE: 17/07/2006
SCALE: DIAGRAMMATIC
FILE REF: REFER DWG NUMBER



STALKER PUMPS
www.stalkerpumps.com.au

DIMENSION OUTLINE DIAGRAMMATIC
ISO2858 65/40-250 CC SERIES 22kW 2P 180M
(EM017 MODULE 2)

DRAWING No: **2900ISOCCEM017DIMA3**