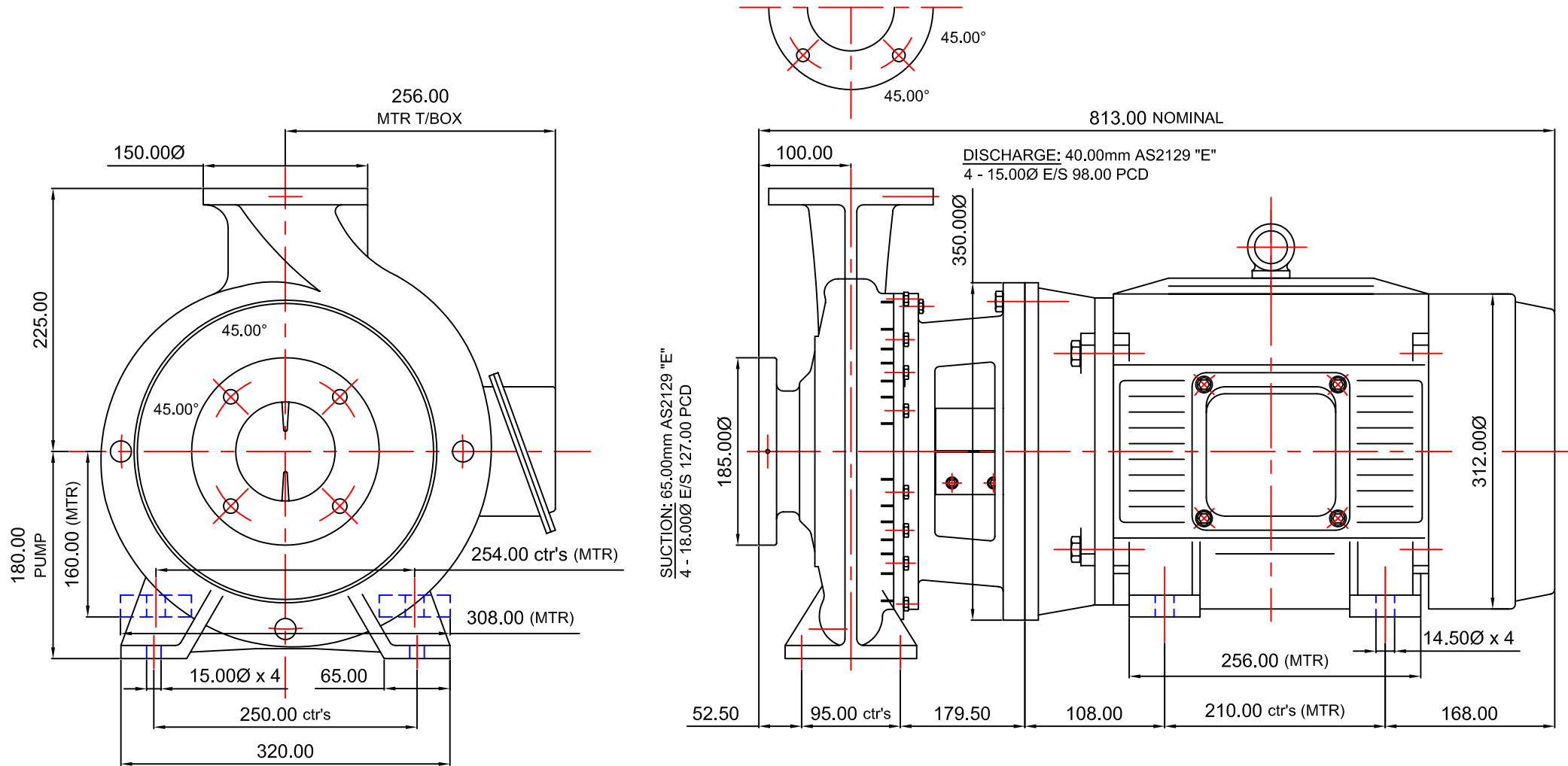



STANDARD DETAIL NOTES:

THIS IS A DIAGRAMMATIC REPRESENTATION AND CERTAIN DETAILS REMOVED FOR CLARITY.

IMPORTANT: ALL DIMENSIONS INDICATED ARE NOMINAL.

IMPORTANT:
THIS DATA IS RELEASED FOR
REFERENCE ONLY.



REVISION	THIS DATA REMAINS THE PROPERTY OF STALKER ENGINEERING. NO DATA MAY BE REPRODUCED WITHOUT PRIOR CONSENT OF COMPANY. DATA MAY BE ALTERED WITHOUT NOTIFICATION.		GENERAL TOLERANCES METRIC +/-0.400mm IMPERIAL +/-0.015"		DRWN: AR	 STALKER PUMPS www.stalkerpumps.com.au
	AS1100 3rd ANGLE PROJECTION		REFERENCE:		DATE: 07/05/2005	
	DO NOT SCALE		APPRVD:	CHECKED:	SCALE: DIAGRAMMATIC	FILE REF: REFER DWG NUMBER
						A3