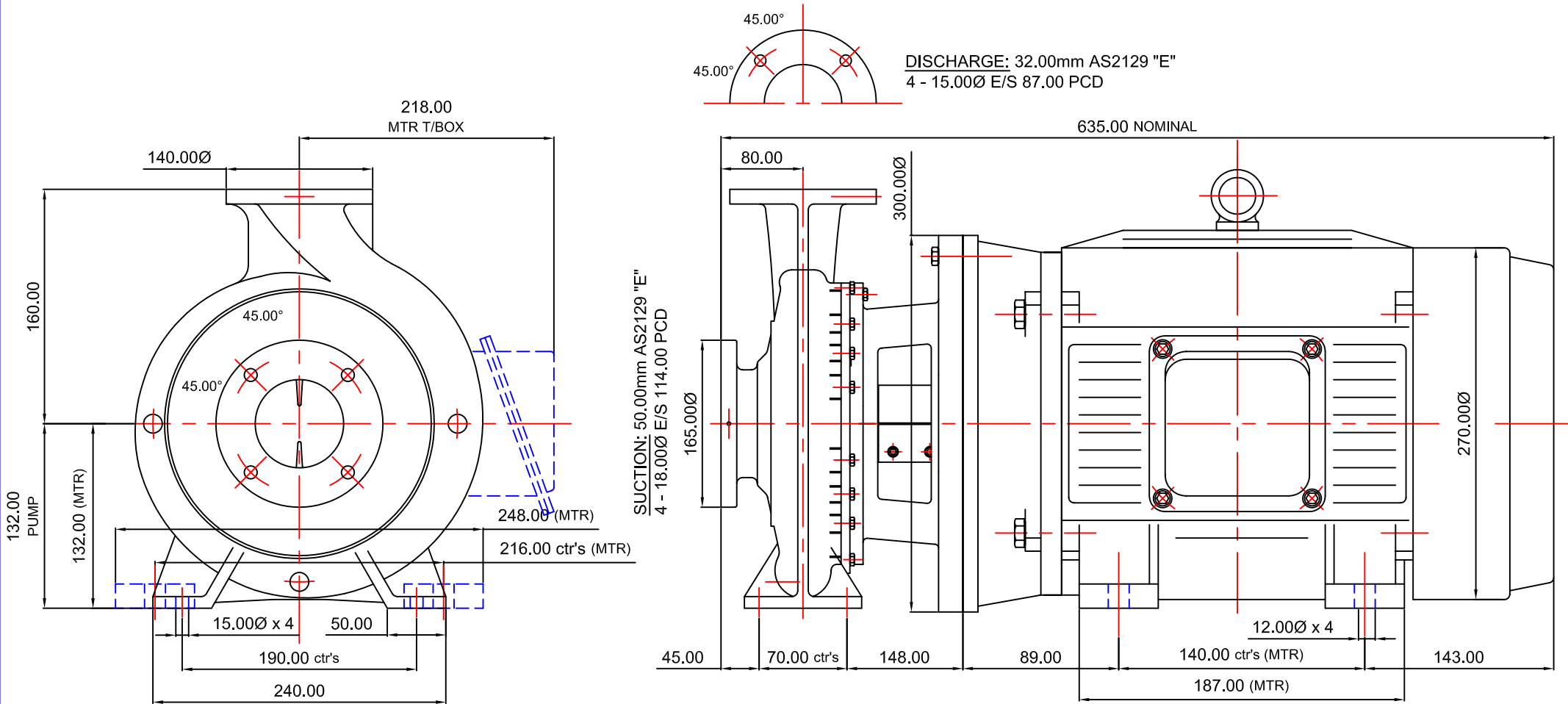



**STANDARD DETAIL NOTES:**

THIS IS A DIAGRAMMATIC REPRESENTATION AND CERTAIN DETAILS REMOVED FOR CLARITY.

**IMPORTANT:** ALL DIMENSIONS INDICATED ARE NOMINAL.

**IMPORTANT:**  
THIS DATA IS RELEASED FOR  
REFERENCE ONLY.



<b>REVISION</b>	THIS DATA REMAINS THE PROPERTY OF STALKER ENGINEERING. NO DATA MAY BE REPRODUCED WITHOUT PRIOR CONSENT OF COMPANY. DATA MAY BE ALTERED WITHOUT NOTIFICATION.		<b>GENERAL TOLERANCES</b> METRIC +/-0.400mm IMPERIAL +/-0.015"		DRWN: AR		 <b>STALKER PUMPS</b> <a href="http://www.stalkerpumps.com.au">www.stalkerpumps.com.au</a> DIMENSION OUTLINE DIAGRAMMATIC ISO2858 50/32-160 CC SERIES 5.5kW 2P 132S (MODULE 1)
	<b>AS1100 3rd ANGLE PROJECTION</b>		REFERENCE:		DATE: 17/07/2007		
	<b>DO NOT SCALE</b>		APPRVD:	CHECKED:	SCALE: DIAGRAMMATIC		
			FILE REF:	DRAWING No:		1900ISOCCEM012DIMA3 <b>A3</b>	
			REFER DWG NUMBER				